

Water Applications

UMC100 – Universal Motor Controller



Optimized for use in

- Pumping stations
- Fresh /Wastewater
- Water treatment
- Desalination
- Irrigation

Modular design for best performance

UMC100 combines full protection and flexible control of pump motors. Due to its modularity it can be flexibly adjusted, covering the whole range from small standalone applications up to very large systems with central control and supervision through a control system.

Projects worldwide with UMC100 like large pumpstations and in water supply prove the suitability for use in water projects.

Motor protection

All current and voltage based motor protection features are available, e.g.

- Dry-run
- Underload and overload based on active power or current measurement
- Wrong direction of operation
- Phase loss and imbalance
- Too frequent starts
- Earth Fault
- others

Diagnostics

All relevant process data and diagnostics is available on the operator panel and transferred to the control system via fieldbus. Fault messages are shown as clear text. User specific messages can be defined.

- Current
- Voltage
- Load
- Energy
- Total Harmonic Distortion (THD)
- Fault, warning, status

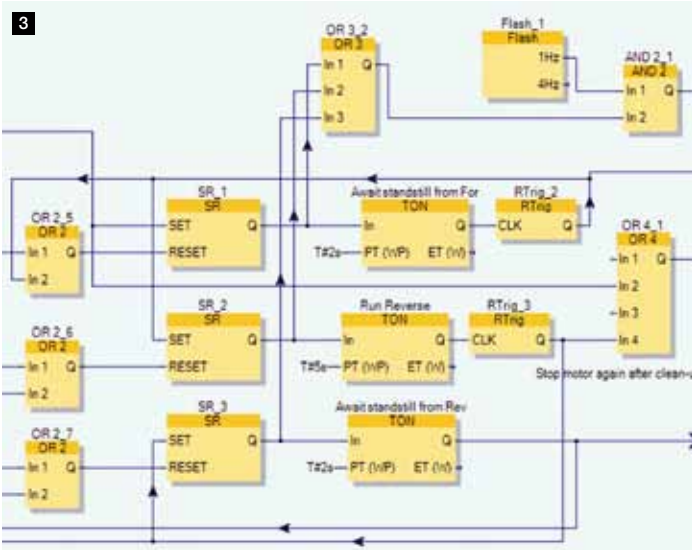
Motor control

- Integrated, easy to use motor starter functions
- Additionally programmable logic, e.g. for
 - synchronizing pumps
 - pump cleaning sequences

Communication

UMC100 supports the most common fieldbus protocols. All motor control and protection functions are also fully functional in standalone operation mode.

- Profibus DP
- DeviceNet
- Modbus RTU
- CanOpen



1 Amanzimtoti waste water treatment works, Durban/South Africa | 2 Panel from Amanzimtoti waste water treatment works | 3 Application with programmable logic for pumpcleaning | 4 Switchboard of a pumping station / Germany

Contact us

ABB STOTZ-KONTAKT GmbH
 Eppelheimer Straße 82
 69123 Heidelberg, Germany
 Phone: +49 62 21 / 701-0
 Fax: +49 62 21 / 701-1325
 Email: info.desto@de.abb.com

www.abb.com

Note:

We reserve the right to make technical changes or modify the contents of this document without prior notice. With regard to purchase orders, the agreed particulars shall prevail. ABB AG does not accept any responsibility whatsoever for potential errors or possible lack of information in this document.

We reserve all rights in this document and in the subject matter and illustrations contained therein. Any reproduction, disclosure to third parties or utilization of its contents – in whole or in parts – is forbidden without prior written consent of ABB AG.

Copyright© 2011 ABB
 All rights reserved