



**HAMMOND  
MANUFACTURING™**



***RITEC***  
***PLASTIC ENCLOSURES***

9C-R1

## Contents

Instrument ABS Plastic Enclosures (RM Series) . . . . .	3
Project Enclosures (RL Series) . . . . .	4
Hand-Held ABS Plastic (RL Series). . . . .	5
ABS Plastic - Hand-Held (RH Series) . . . . .	6
Watertight ABS Plastic (RP Series). . . . .	7
Sealed - ABS Plastic (RS Series) . . . . .	8
Watertight Polycarbonate (RP Series). . . . .	9
Watertight - Deep Lid (RP Series). . . . .	10
Additional Hammond Literature . . . . .	11
Factory Modified Enclosures . . . . .	11
Hammond on the Web. . . . .	11

Hammond Manufacturing and RITEC Enclosures are pleased to announce a global cooperation for the manufacturing and sales of their wide range of diecast, plastic, and metal enclosures.

With inventory in America, Europe, and Asia, the RITEC range of quality products is available with high service levels.

For full technical and distribution information, please see [www.hammondmfg.com](http://www.hammondmfg.com) under the “More Enclosures” section. RITEC information is available as well at [www.ritec.com.tw](http://www.ritec.com.tw).

## Instrument ABS Plastic Enclosures (RM Series)

### Key Features:

- Designed to house P.C. boards - for instrument use.
- Molded in light grey - general purpose ABS plastic with a light texture (front & rear panels are smooth). Material carries a UL flammability rating of UL94 HB.
- Two part - clam shell construction. Bottom half includes molded in standoffs for easy P.C. board installation. Larger enclosures also include P.C. board standoffs on the top half. Four short M3 screws included
- Front & rear panels are interchangeable and easily removable for modifications.
- Tongue and groove construction provides protection against dust & water. Designed to meet IP43.
- Includes two (or four) - assembly screws (depending on size).
- All units except the RM2015S and RM2055S are secured with M3 Philips machine screws, threaded into integral brass bushings. Perfect for applications when repetitive assembly and disassembly are required. The RM2015S and RM2055S use self tapping Philips screws.
- Options include replacement IR translucent or aluminum panels.



Part Number	Color	Units	Length	Width	Enclosure Depth (Assembled)
RM2015S	Grey	inch	5.12	3.94	1.18
		mm	130	100	30
RM2015M	Grey	inch	5.12	3.94	1.97
		mm	130	100	50
RM2015L	Grey	inch	5.12	3.94	2.76
		mm	130	100	70
RM2055S	Grey	inch	7.48	5.51	1.18
		mm	190	140	30
RM2055M	Grey	inch	7.48	5.51	1.97
		mm	190	140	50
RM2055L	Grey	inch	7.48	5.51	2.76
		mm	190	140	70
RM2095S	Grey	inch	9.84	7.09	1.97
		mm	250	180	50
RM2095M	Grey	inch	9.84	7.09	2.95
		mm	250	180	75
RM2095L	Grey	inch	9.84	7.09	3.94
		mm	250	180	100

## Project Enclosures (RL Series)

### Key Features:

- Designed to house P.C. boards - for hand-held use or wall mount.
- Molded in light grey - general purpose ABS plastic with a light texture.
- Two part construction. Both halves include smooth recessed area for membrane, label or silkscreen (see chart below for recess size).
- P.C. board standoffs are molded into both halves of the enclosure.
- Designed to meet IP54.
- All sizes also available in a flanged lid version.
- Includes four - M3 assembly screws.



Part Number	Part Number (With Flanged Lid)	Units	Length	Width	Enclosure Depth (With Lid)	Lid Recess Size	Bottom Recess Size	P.C.B. Mounting Dimensions	Wall Mount Dimensions (Flanged Lid)
RL6105	RL6105-F	inch mm	3.15 80	2.36 60	1.18 30	2.13 x 2.05 54 x 52	2.13 x 2.05 54 x 52	2.52 x 1.18 64 x 30	3.62 92
RL6115	RL6115-F	inch mm	3.15 80	2.36 60	1.57 40	2.13 x 2.05 54 x 52	2.13 x 2.05 54 x 52	2.52 x 1.18 64 x 30	3.62 92
RL6215	RL6215-F	inch mm	4.92 125	3.15 80	1.38 35	3.78 x 2.76 96 x 70	3.78 x 2.76 96 x 70	4.21 x 1.57 107 x 40	5.39 137
RL6225	RL6225-F	inch mm	4.92 125	3.15 80	1.97 50	3.78 x 2.76 96 x 70	3.78 x 2.76 96 x 70	4.21 x 1.57 107 x 40	5.39 137
RL6335	RL6335-F	inch mm	4.92 125	3.94 100	2.36 60	3.78 x 3.46 96 x 88	3.78 x 3.46 96 x 88	4.17 x 2.56 106 x 65	5.39 137
RL6365	RL6365-F	inch mm	4.92 125	3.94 100	3.54 90	3.78 x 3.46 96 x 88	3.78 x 3.46 96 x 88	4.17 x 2.56 106 x 65	5.39 137
RL6435	RL6435-F	inch mm	5.91 150	3.94 100	2.36 60	4.72 x 3.54 120 x 90	4.72 x 3.54 120 x 90	5.20 x 2.36 132 x 60	6.38 162
RL6465	RL6465-F	inch mm	5.91 150	3.94 100	3.54 90	4.72 x 3.54 120 x 90	4.72 x 3.54 120 x 90	5.20 x 2.36 132 x 60	6.38 162
RL6555	RL6555-F	inch mm	6.89 175	4.92 125	2.76 70	5.59 x 4.53 142 x 115	5.59 x 4.53 140 x 112	6.06 x 2.76 154 x 70	7.36 187
RL6585	RL6585-F	inch mm	6.89 175	4.92 125	3.94 100	5.59 x 4.53 142 x 115	5.59 x 4.41 140 x 112	6.06 x 2.76 154 x 70	7.36 187
RL6655	RL6655-F	inch mm	7.87 200	5.91 150	2.76 70	6.50 x 5.31 165 x 135	6.50 x 5.31 165 x 135	7.01 x 3.94 178 x 100	6.5 216
RL6685	RL6685-F	inch mm	7.87 200	5.91 150	3.94 100	6.50 x 5.31 165 x 135	6.50 x 5.31 165 x 135	7.01 x 3.94 178 x 100	6.5 216

Technical references and CAD downloads available at [www.hammondmfg.com](http://www.hammondmfg.com)

## Hand-Held ABS Plastic (RL Series)

### Key Features:

- Designed to house P.C. boards - for hand-held use.
- Molded in light grey - general purpose ABS plastic with a light texture (material carries a UL flammability rating of UL94 HB).
- Two part - snap action - clam shell construction. Both halves include smooth recessed area for membrane, label or silkscreen.
- P.C. board standoffs are molded into both halves of the enclosure. Four short M3 screws included.
- P.C. board guides molded into top half.
- Designed to meet IP54.
- Includes four - M3 assembly screws.

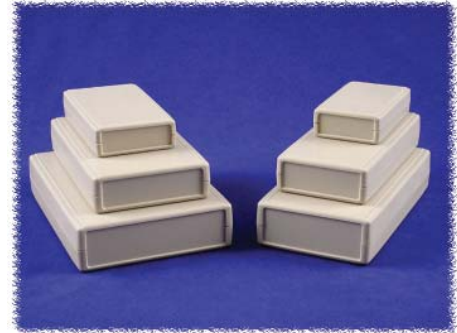


Part Number	Color	Units	Length	Width	Enclosure Depth (With Lid)
RL6015	Grey	inch <i>mm</i>	4.09 104	2.56 65	1.57 40
RL6035	Grey	inch <i>mm</i>	5.67 144	2.56 65	1.57 40
RL6055	Grey	inch <i>mm</i>	7.01 178	4.13 105	1.57 40
RL6065	Grey	inch <i>mm</i>	8.07 205	4.13 105	1.57 40

## ABS Plastic - Hand-Held (RH Series)

### Key Features:

- Electronic instrument enclosures, ideally suited for mounting printed circuit boards.
- Ergonomically designed for a comfortable fit into the user's hand.
- Lap joint construction provides protection against dust accumulation and splashing water.
- Removeable front panel for easy modifications.
- Molded in a light grey general purpose ABS plastic with a light texture (material carries a UL flammability rating of UL94 HB).
- Assembled with M3 Philips machine screws, threaded into integral brass bushings. Perfect for applications when repetitive assembly and disassembly are required (except for the two smallest sizes). The RH3115 and the RH3135 use self tapping M2.6 screws.
- Both top and bottom halves contain P.C. board standoffs molded in.
- The two largest sizes (RH3185 & RH3195) include four self adhesive rubber feet for desk top use.



### Standard

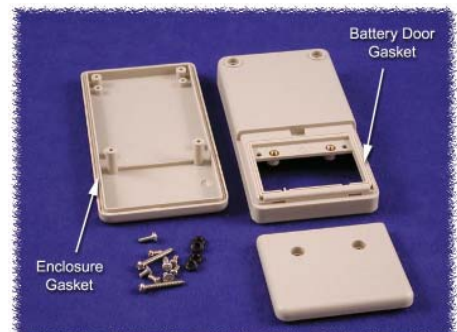
Part Number	Units	Length	Width	Enclosure Depth (assembled)
RH3115	inch	3.94	2.36	0.98
	mm	100	60	25
RH3135	inch	4.72	2.76	0.98
	mm	120	70	25
RH3155	inch	6.5	3.15	1.26
	mm	165	80	32
RH3165	inch	6.5	3.94	1.26
	mm	165	100	32
RH3185	inch	7.28	5.31	1.57
	mm	185	135	40
RH3195	inch	7.48	3.94	1.57
	mm	190	100	40



### With Battery Door

Part Number	Part Number with Gaskets	Color	Units	Length	Width	Enclosure Depth (assembled)
RH3015	RH3005*	Grey	inch	5.12	2.68	0.98
			mm	130	68	25
RH3055	RH3045*	Grey	inch	4.72	2.76	1.18
			mm	120	70	30

\* Designed to meet IP 65



## Watertight ABS Plastic (RP Series)

### Key Features:

- Ideally suited for mounting printed circuit boards or DIN rail mounted components.
- Material - General purpose ABS plastic (material carries a UL flammability rating of UL94 HB).
- Color is a light gray with a light texture. Also available with a clear polycarbonate lid (see table below).
- Gasketed lid with two piece “tongue & groove” construction provides protection against access of oil, dust and water.
- Rubber gasket is included and must be field installed.
- Lid includes smooth recessed area for membrane, label or silkscreen (see chart below for recess size).
- Designed to meet IP 65.
- Lid is secured with self capturing - M3.5 stainless steel machine screws (included), threaded into integral stainless steel bushings (for repetitive assembly & disassembly). All stainless steel hardware to avoid corrosion caused by dissimilar metals.
- Lid screws are self capturing (lid holes are threaded with the first installation of lid screws).
- Internal features are maximized for mounting options:
  - Internal DIN rail mounting tabs - molded in.
  - Options vary with size.



Part No.	Part No. ABS with Clear Lid	Units	Length	Width	Height (Includes Lid)	Lid Recess Size
RP1025	RP1025C	inch mm	2.56 65	2.36 60	1.57 40	1.54 x 2.05 39 x 52
RP1065	RP1065C	inch mm	3.35 85	3.15 80	2.17 55	2.32 x 2.83 59 x 72
RP1085	RP1085C	inch mm	4.13 105	2.95 75	1.57 40	2.56 x 3.07 65 x 78
RP1095	RP1095C	inch mm	4.13 105	2.95 75	2.17 55	2.56 x 3.07 65 x 78
RP1135	RP1135C	inch mm	4.92 125	3.35 85	2.17 55	3.03 x 3.90 77 x 99
RP1205	RP1205C	inch mm	5.71 145	4.13 105	1.57 40	4.57 x 3.78 116 x 96

Part No.	Part No. ABS with Clear Lid	Units	Length	Width	Height (Includes Lid)	Lid Recess Size
RP1215	RP1215C	inch mm	5.71 145	4.13 105	2.36 60	4.57 x 3.78 116 x 96
RP1175	RP1175C	inch mm	6.5 165	3.35 85	2.17 55	2.76 x 5.47 70 x 139
RP1245	RP1245C	inch mm	6.5 165	4.92 125	2.95 75	5.43 x 4.57 138 x 116
RP1285	RP1285C	inch mm	7.32 186	5.75 146	2.95 75	5.08 x 5.91 129 x 150
RP1455	RP1455C	inch mm	8.66 220	6.5 165	2.36 60	7.28 x 5.91 185 x 150
RP1465	RP1465C	inch mm	8.66 220	6.5 165	3.35 85	7.28 x 5.91 185 x 150

## Sealed - ABS Plastic (RS Series)

### Key Features:

- Designed to house P.C. boards - sealed from dust and water (not for outdoor use).
- Molded in light grey - general purpose ABS plastic with a light texture (material carries a UL flammability rating of UL94 HB).
- Two part - styled lid construction. Top half includes smooth recessed area for membrane, label or silk-screen.
- P.C. board standoffs are molded into the bottom (two smallest sizes) and molded into both halves of the enclosure (two largest sizes). Four short M3 self tapping screws included.
- Gasketed lid with two piece “tongue & groove” construction provides protection against access of oil, dust and water.
- Designed to meet IP65.
- Includes four - M4 assembly screws (see table below for type).
- Lid screws are self captivating (lid holes are threaded with the first installation of lid screws).



Part Number	Color	Assembly Method	Lid Gasket	Units	Length	Width	Enclosure Depth (With Lid)
RS5105S	Grey	Four - Self Tapping Stainless Steel Screws	Installed	inch <i>mm</i>	4.13 105	4.13 105	2.17 55
RS5305S	Grey	Four - Self Tapping Stainless Steel Screws	Installed	inch <i>mm</i>	6.5 165	4.13 105	3.07 78
RS5705	Grey	Four - Stainless Steel Machine Screws (into Stainless Steel Inserts)	Kit (Included)	inch <i>mm</i>	9.84 250	7.87 200	3.74 95
RS5805	Grey	Four - Stainless Steel Machine Screws (into Stainless Steel Inserts)	Kit (Included)	inch <i>mm</i>	9.84 250	7.87 200	5.12 130



## Watertight Polycarbonate (RP Series)

### Key Features:

- Ideally suited for mounting printed circuit boards or DIN rail mounted components.
- Material - Polycarbonate (material carries a UL flammability rating of UL94 HB).
- Color is an off white with a light texture.
- Gasketed lid with two piece “tongue & groove” construction provides protection against access of oil, dust and water.
- Rubber gasket is included and must be field installed.
- Lid includes smooth recessed area for membrane, label or silkscreen (see chart below for recess size).
- Designed to meet IP 65.
- Lid is secured with self captivating - M3.5 stainless steel machine screws (included), threaded into integral stainless steel bushings (for repetitive assembly & disassembly). All stainless steel hardware to avoid corrosion caused by dissimilar metals.
- Lid screws are self captivating (lid holes are threaded with the first installation of lid screws).
- Internal features are maximized for mounting options:
  - Internal DIN rail mounting tabs - molded in.
  - Options vary with size.



Part No.	Units	Length	Width	Height (Includes Lid)	Lid Recess Size
RP1020	inch	2.56	2.36	1.57	1.54 x 2.05
	mm	65	60	40	39 x 52
RP1060	inch	3.35	3.15	2.17	2.32 x 2.83
	mm	85	80	55	59 x 72
RP1080	inch	4.13	2.95	1.57	2.56 x 3.07
	mm	105	75	40	65 x 78
RP1090	inch	4.13	2.95	2.17	2.56 x 3.07
	mm	105	75	55	65 x 78
RP1130	inch	4.92	3.35	2.17	3.03 x 3.90
	mm	125	85	55	77 x 99
RP1200	inch	5.71	4.13	1.57	4.57 x 3.78
	mm	145	105	40	116 x 96
RP1210	inch	5.71	4.13	2.36	4.57 x 3.78
	mm	145	105	60	116 x 96
RP1170	inch	6.5	3.35	2.17	2.76 x 5.47
	mm	165	85	55	70 x 139
RP1240	inch	6.5	4.92	2.95	5.43 x 4.57
	mm	165	125	75	138 x 116
RP1280	inch	7.32	5.75	2.95	5.08 x 5.91
	mm	186	146	75	129 x 150
RP1450	inch	8.66	6.5	2.36	7.28 x 5.91
	mm	220	165	60	185 x 150
RP1460	inch	8.66	6.5	3.35	7.28 x 5.91
	mm	220	165	85	185 x 150

## Watertight - Deep Lid (RP Series)

### Key Features:

- Ideally suited for mounting printed circuit boards or DIN rail mounted components requiring a deep enclosure.
- Choice of two materials - General purpose ABS plastic or Polycarbonate (both materials carry a UL flammability rating of UL94 HB).
- ABS Plastic color is a light gray with a light texture. Also available with a clear polycarbonate lid (see table below).
- Polycarbonate version is available in an off white with a light texture.
- Gasketed lid with two piece “tongue & groove” construction provides protection against access of oil, dust and water.
- Rubber gasket is included and must be field installed.
- Lid includes smooth recessed area for membrane, label or silkscreen (see chart below for recess size).
- Designed to meet IP 65.
- Lid is secured with self capturing - M3.5 stainless steel machine screws (included), threaded into integral stainless steel bushings (for repetitive assembly & disassembly). All stainless steel hardware to avoid corrosion caused by dissimilar metals.
- Lid screws are self capturing (lid holes are threaded with the first installation of lid screws).
- Internal features are maximized for mounting options:
  - Internal DIN rail mounting tabs - molded in.
  - Options vary with size.

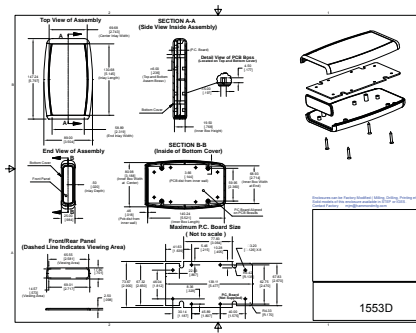


Part No. ABS	Part No. Polycarb	Part No. ABS with Clear Lid	Units	Length	Width	Height (Includes Lid)	Lid Recess Size
RP1155	RP1150	RP1155C	inch <i>mm</i>	4.92 125	3.35 85	3.35 85	2.76 x 3.66 70 x 93
RP1185	RP1180	RP1185C	inch <i>mm</i>	6.5 165	3.35 85	3.35 85	2.76 x 5.28 70 x 134
RP1385	RP1380	RP1385C	inch <i>mm</i>	7.32 186	5.75 146	4.33 110	4.92 x 5.79 125 x 147

## Hammond on the Web

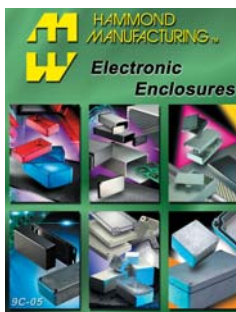
For detailed drawings, CAD files and color photos visit Hammond's website at:

[www.hammondmfg.com](http://www.hammondmfg.com)



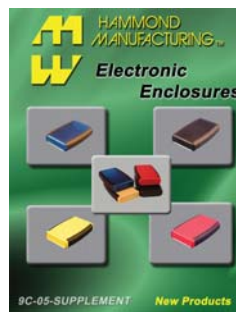
## Additional Hammond Literature

Catalog 9C-05



Electronic Enclosures

Catalog 9C-05SUP



Electronic Enclosures  
Supplement

Brochure RM-1457



RM Series  
1457 Series

Contact one of our offices on the back to order one today!

## Factory Modified Enclosures



- *Machining*
- *Silk Screening*
- *Hot Stamping*
- *Special Colors*
- *Custom Materials*

### Easy to quote and order

- Mark up our PDF drawings downloadable from our website
- Modify our AutoCad files downloadable from our website
- Email us at [modifieds@hammondmfg.com](mailto:modifieds@hammondmfg.com)

Technical references and CAD downloads available at [www.hammondmfg.com](http://www.hammondmfg.com)



# HAMMOND MANUFACTURING™

## CANADA

Hammond Mfg. Co. Ltd.  
394 Edinburgh Road North  
Guelph, Ontario N1H 1E5  
Tel: (519) 822-2960  
or (905) 456-3770  
Fax: (519) 822-0715

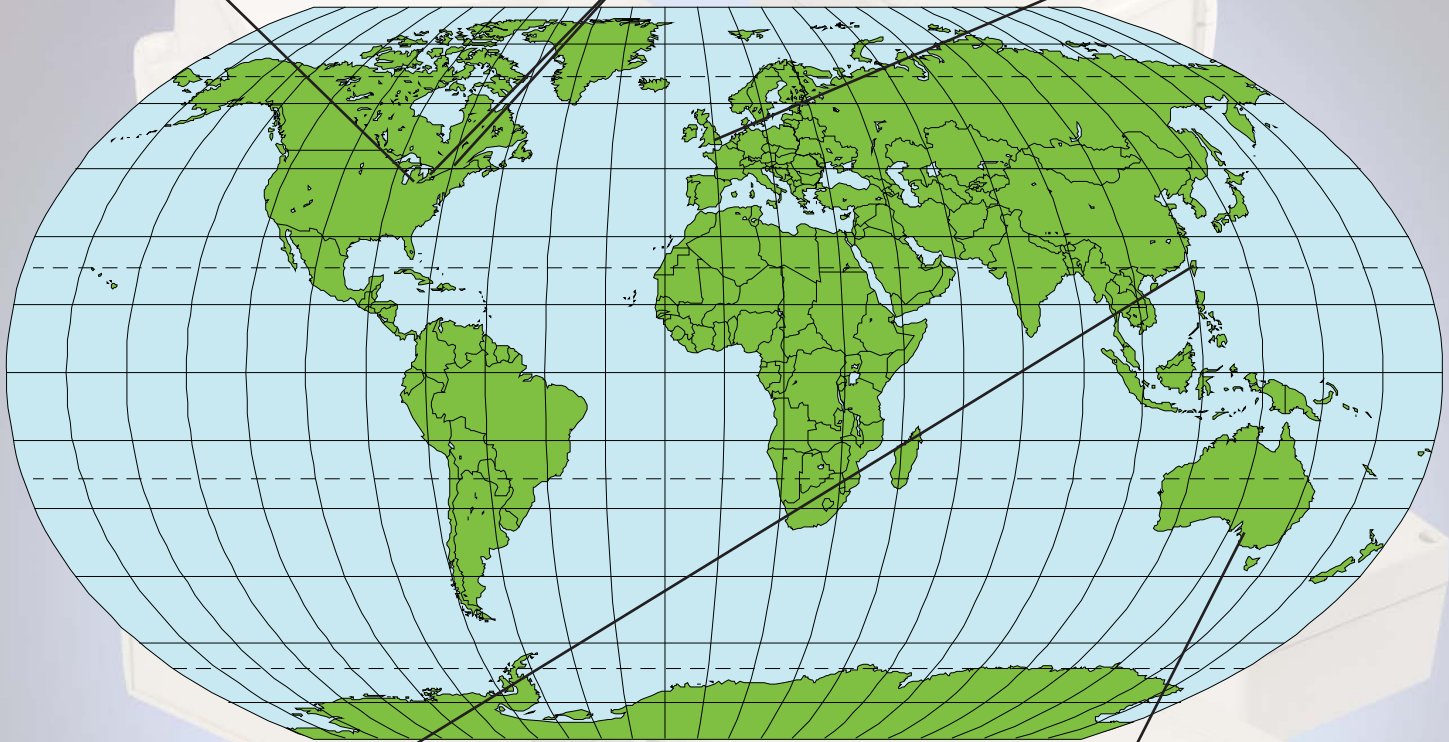
Les Fabrications Hammond  
(Quebec) Inc.  
4240 Seré Street  
St. Laurent, Quebec H4T 1A6  
Tel: (514) 343-9010  
Fax: (514) 343-9941

## USA

Hammond Mfg. Co. Inc.  
475 Cayuga Road  
Cheektowaga, NY 14225  
Tel: (716) 630-7030  
Fax: (716) 630-7042

## Europe

Hammond Electronics Limited  
1 Onslow Close  
Kingsland Business Park  
Basingstoke, Hampshire  
RG24 8QL  
United Kingdom  
Tel: 01256 812812  
Fax: 01256 332249



## Asia

RITEC Enclosures Inc.  
10F., No. 81, Sec. 1, Kuang Fu Road  
San Chung City, Taipei 241  
Taiwan  
Tel: +886 - 2 - 2999 8918  
Fax: +886 - 2 - 2999 8955

## Australia

Hammond Electronics Pty. Ltd.  
ABN 13 099 121 981  
11-13 Port Road  
Queenstown, SA 5014  
Australia  
Tel: 61-8-8240-2244  
Fax: 61-8-8240-2255

[www.hammondmfg.com](http://www.hammondmfg.com)